



MULTI - FUNCTION

Cal. VX7JE

Movement Size

12 3/4'''

Casing Diameter

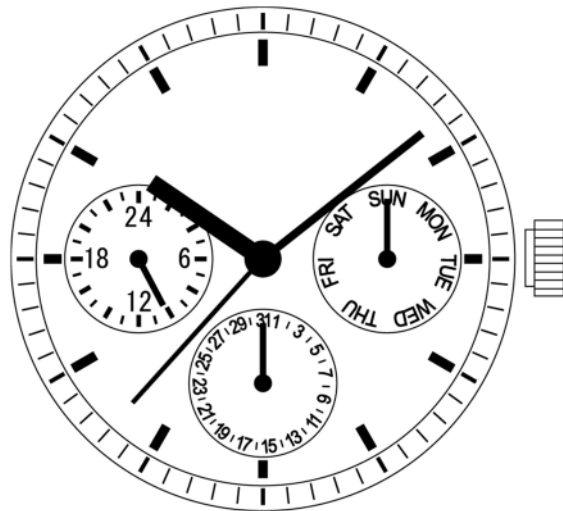
Ø 28.6mm

Height

3.99mm

Battery Life

3 years



S.EPSON PRODUCTS
JAPAN TECHNOLOGY & QUALITY

Date: 30/Apr.'14

Cal. VX7JE

Items	Rev.	Page
Specifications	01	1
Appearance	01	2
Casing	01	3
Hand fitting	01	4
Hand setting stem	01	5
Dial	01	6
Casing ring	01	7
Operation	03	8

**Analog Quartz 12 3/4" Movement / 3 hands (H/M/S) and 3 eyes
with Day / Date / 24 Hour indicators**

1. MOVEMENT DIMENSIONS

Outside diameter	$\phi 29.50\text{mm} \times 26.00\text{mm}(3\text{-}9\text{H}) \times 29.36\text{mm}(12\text{-}6\text{H})$
Casing diameter	$\phi 28.60\text{mm} \times 25.60\text{mm}(3\text{-}9\text{H}) \times 28.60\text{mm}(12\text{-}6\text{H})$
Total height	3.99mm (including battery)

2. TIME STANDARD

Type of quartz oscillator	Tuning fork
Frequency of quartz oscillator	32,768 Hz
Accuracy	± 20 seconds per month (on wrist)
Operating temperature range	-5°C to $+50^{\circ}\text{C}$
Regulation device	Nil (Pre-adjusted)

3. INDICATOR / FUNCTIONS

3 Hands	Hour / Minute / Second						
3 Small hands	Day(3H) / Date(6H) / 24 Hour(9H)						
Reset switch							
Setting mechanism	<table style="width: 100%; border-collapse: collapse;"> <tr> <td style="width: 60%;">Crown at normal position</td> <td>: Free</td> </tr> <tr> <td>Crown pulled out 1st click</td> <td>: Instant date change</td> </tr> <tr> <td>Crown pulled out 2nd click</td> <td>: Time setting (Day change) / Reset</td> </tr> </table>	Crown at normal position	: Free	Crown pulled out 1st click	: Instant date change	Crown pulled out 2nd click	: Time setting (Day change) / Reset
Crown at normal position	: Free						
Crown pulled out 1st click	: Instant date change						
Crown pulled out 2nd click	: Time setting (Day change) / Reset						

4. FEATURES

Jewels	0 Jewels						
Anti-magnetism	Over 1600A/m (Direct current magnetic field)						
Maximum unbalance of hands	<table style="width: 100%; border-collapse: collapse;"> <tr> <td style="width: 60%;">Second hand</td> <td>: $0.1 \mu \text{N}\cdot\text{m}$</td> </tr> <tr> <td>Minute hand</td> <td>: $0.9 \mu \text{N}\cdot\text{m}$</td> </tr> <tr> <td>Hour hand</td> <td>: $0.9 \mu \text{N}\cdot\text{m}$</td> </tr> </table>	Second hand	: $0.1 \mu \text{N}\cdot\text{m}$	Minute hand	: $0.9 \mu \text{N}\cdot\text{m}$	Hour hand	: $0.9 \mu \text{N}\cdot\text{m}$
Second hand	: $0.1 \mu \text{N}\cdot\text{m}$						
Minute hand	: $0.9 \mu \text{N}\cdot\text{m}$						
Hour hand	: $0.9 \mu \text{N}\cdot\text{m}$						

5. BATTERY

Type / Size	Silver oxide battery / $\phi 9.5\text{mm} \times t 2.7\text{mm}$
Recommended battery	SR927SW (Maxell, Sony, Seizaiken)
Nominal voltage	1.55 V
Battery life	Approx. 3 years
Driving current consumption	Approx. $2.1 \mu \text{A}$
Operation stopping voltage	1.2 V

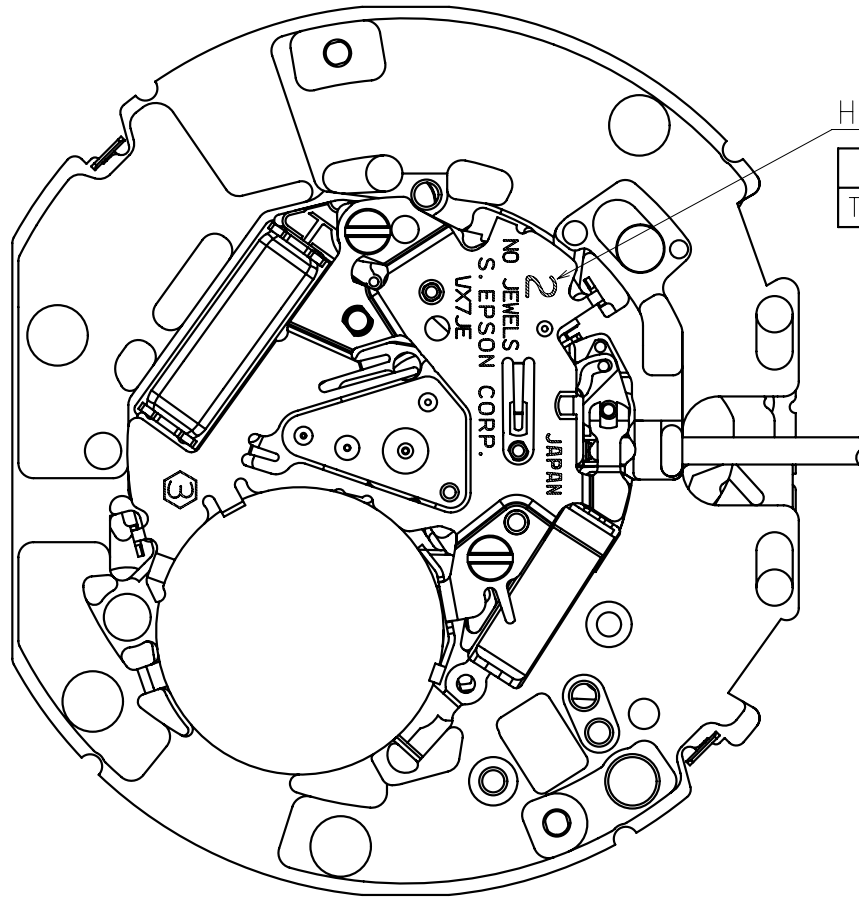
6. SEPARATED PARTS (Parts code)

Hand setting stem	0351578 or 0351177
Battery	SR927SW

7. TEST OF ACCURACY

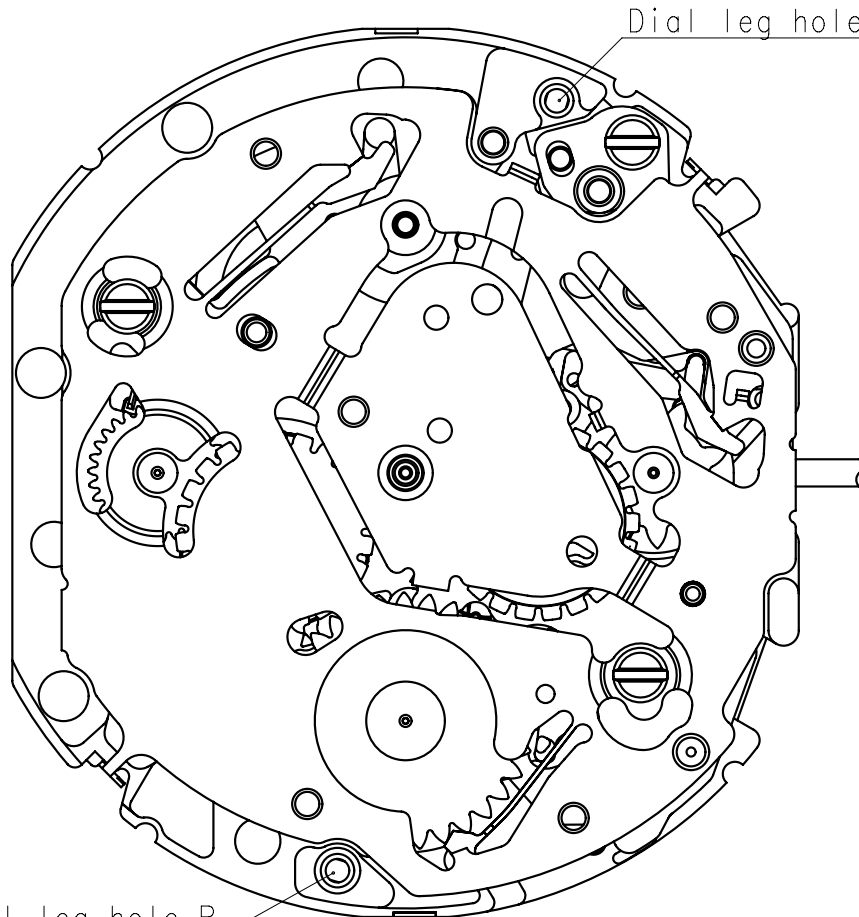
Equipment to be used	SEIKO quartz tester QT-99, Greiner quartz timer-C , Witschi Q-tester 4000
Duration of measurement	10 seconds
Microphone to be used	Electromagnetic detection type

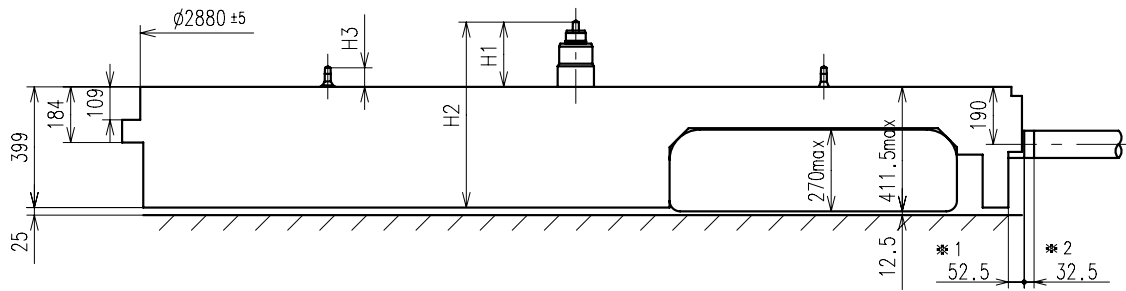
All specifications are subject to change without notice.



Hands type

	Mark
Type M	2

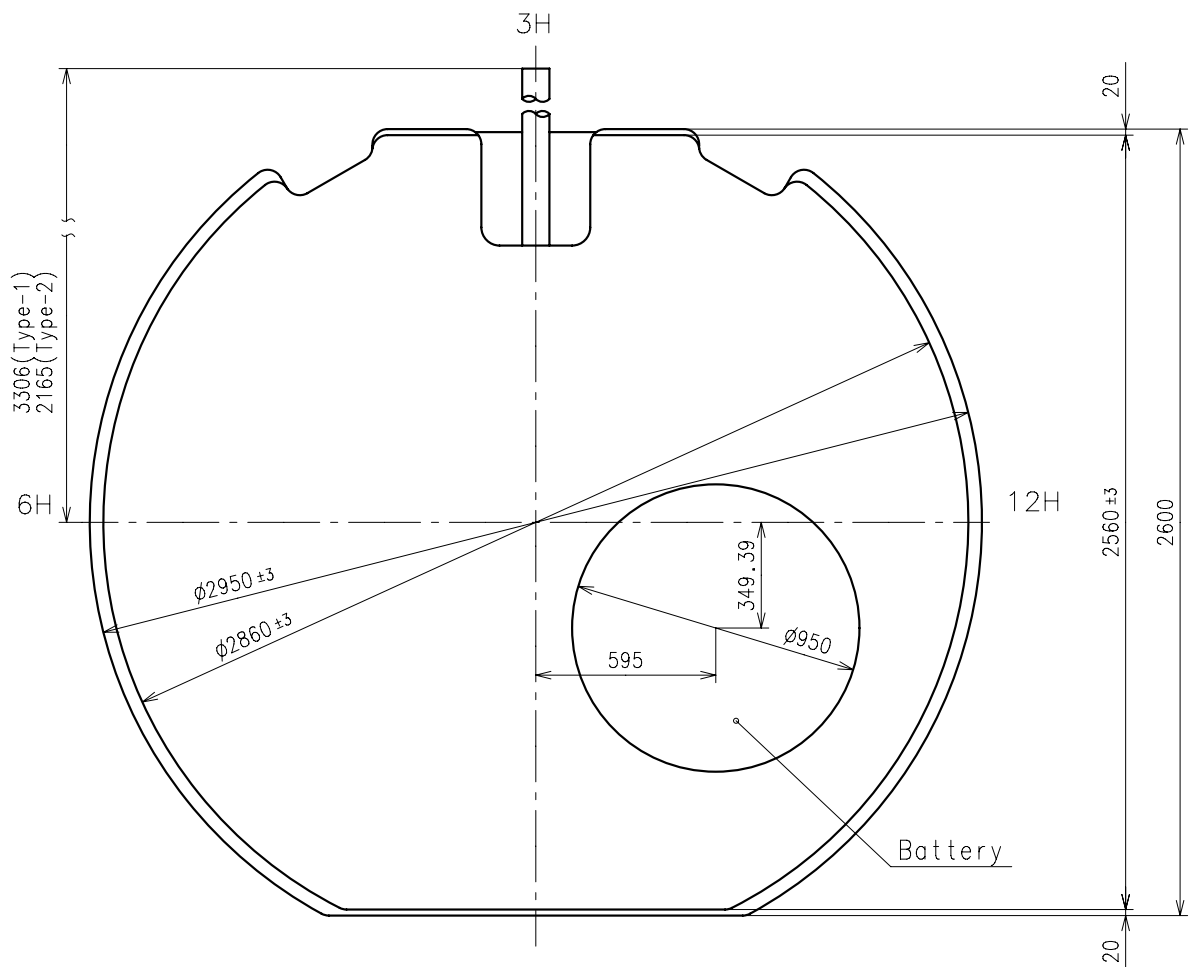




Center post		Type M (2) VX7JE**
Maximum height from dial support	H1	214
Total height including movement	H2	613
Maximum height from dial support	H3	63

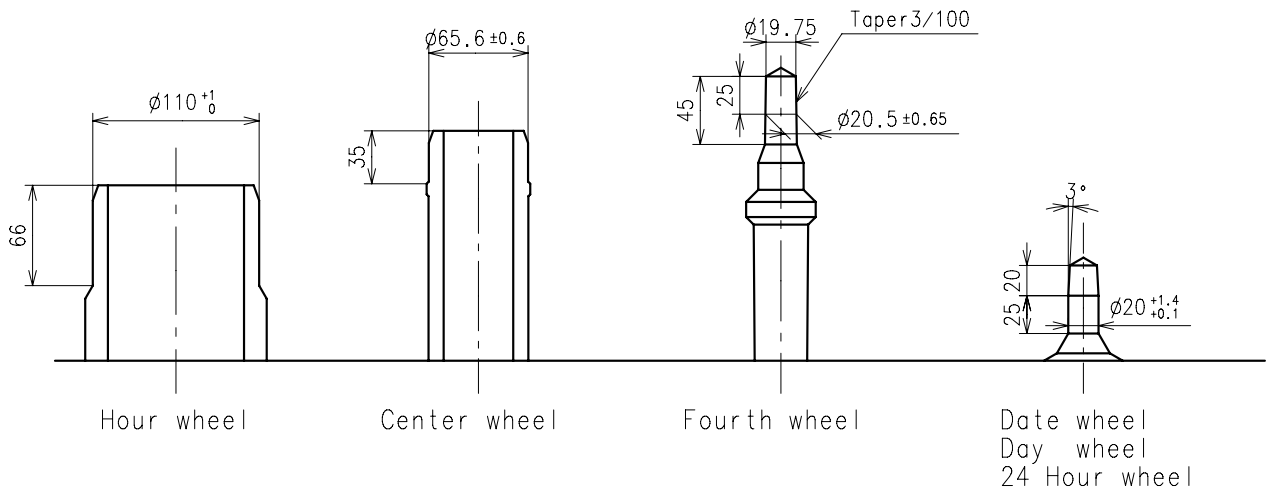
*1: First pullout stroke

*2: Second pullout stroke

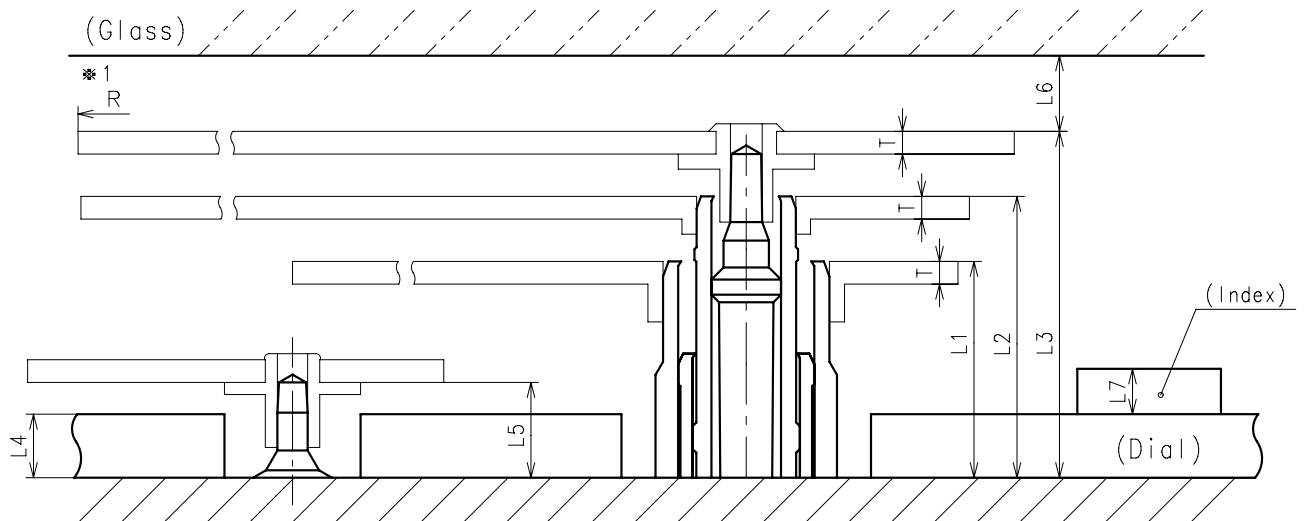


※ Unbalance

- Hour hand $\leq 0.9\mu\text{ N}\cdot\text{m}$ ($90\mu\text{ g}\cdot\text{m}$)
- Minute hand $\leq 0.9\mu\text{ N}\cdot\text{m}$ ($90\mu\text{ g}\cdot\text{m}$)
- Second hand $\leq 0.1\mu\text{ N}\cdot\text{m}$ ($10\mu\text{ g}\cdot\text{m}$)

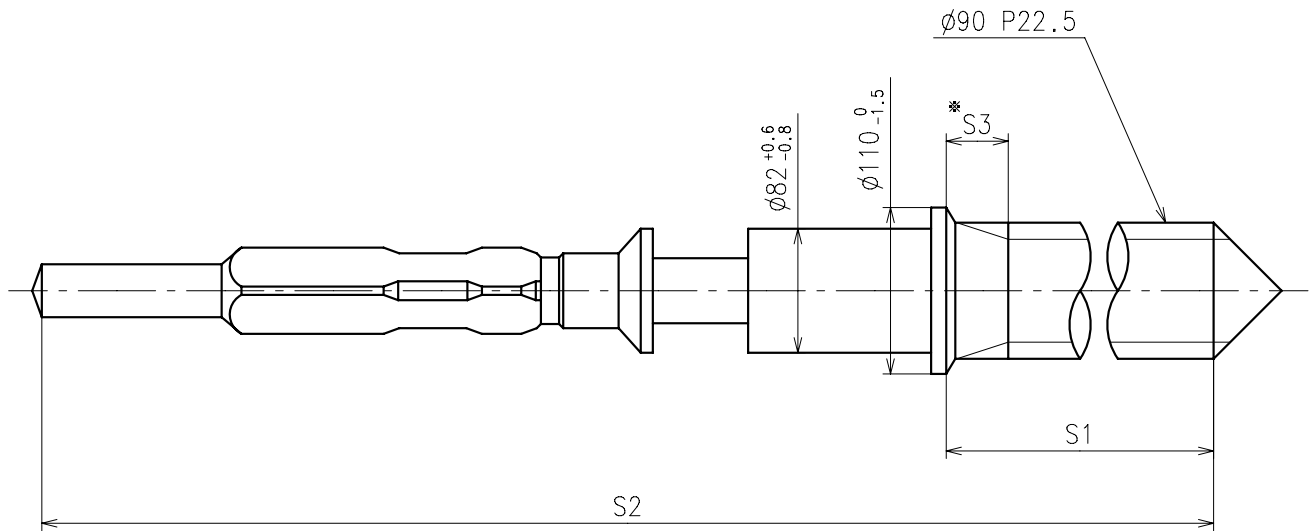


	Parts No.					
	Hour wheel	Center wheel	Fourth wheel	Date wheel	Day wheel	24 Hour wheel
Type M (2) VX7JE**	0271658	0221602	0241559	0970503	1002546	1002559



	L1	L2	L3	L4	L5	L6	L7	T	*1 R
Type M (2) VX7JE**	143	186	229	40	63	MIN: 50	MAX: 50	15	MAX: 1250

※ 1: It is the size taken into consideration for hands attachment.
Please observe some standard value specified in unbalance when using long hands.

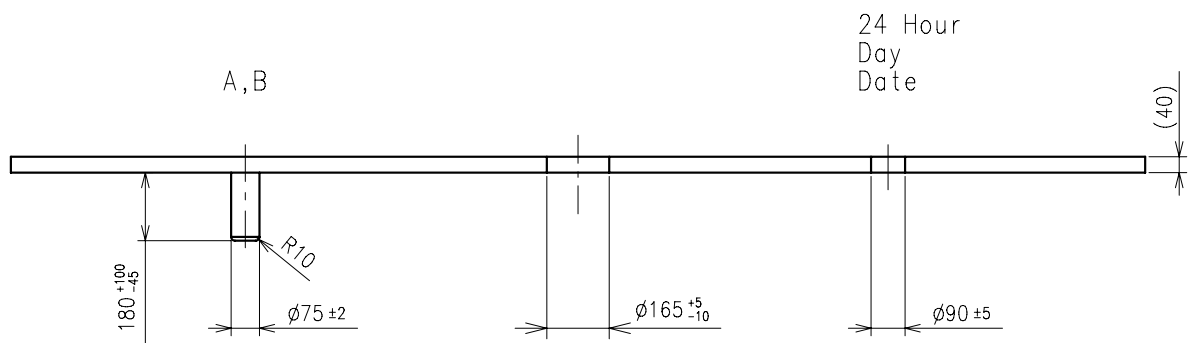
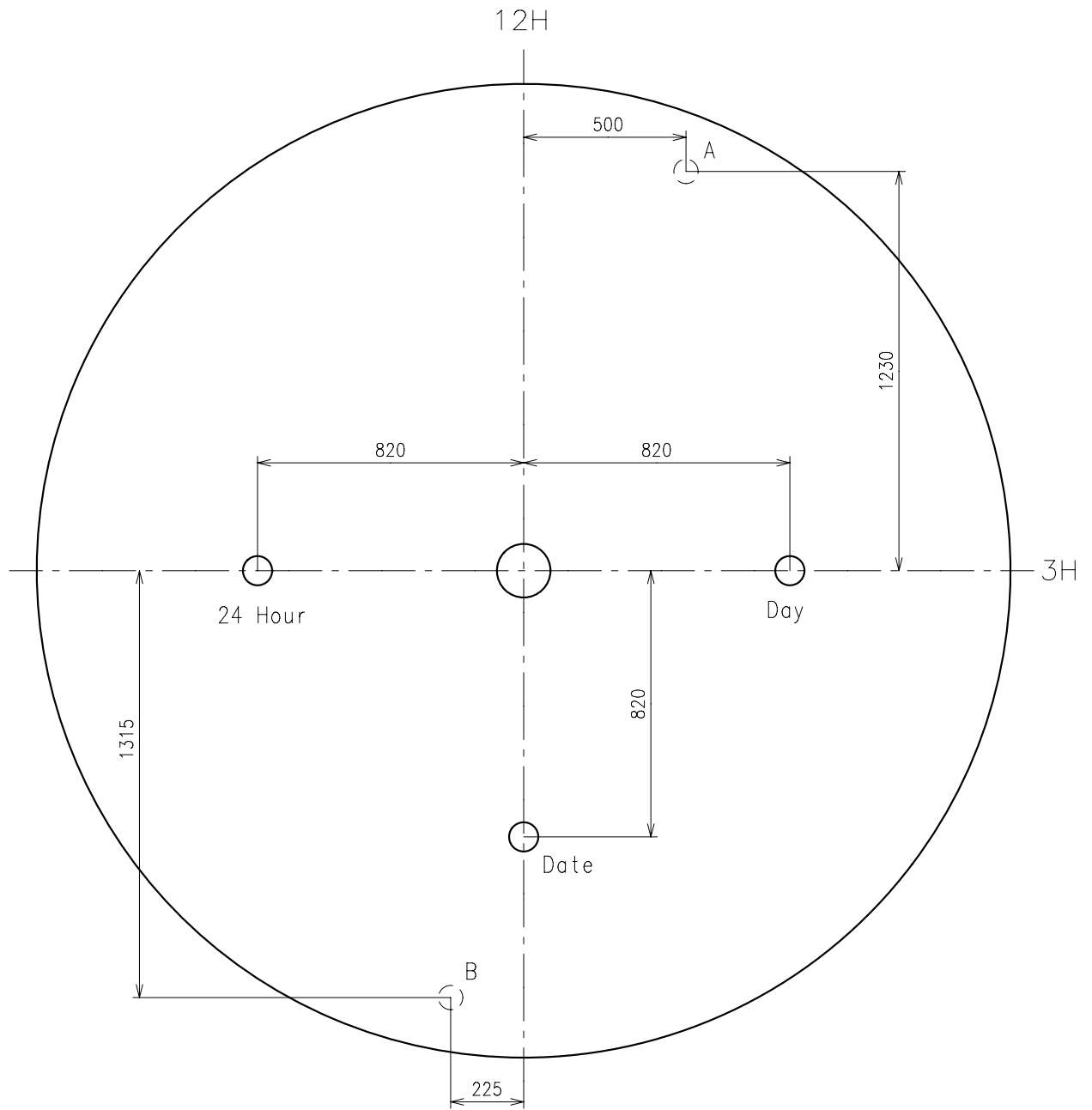


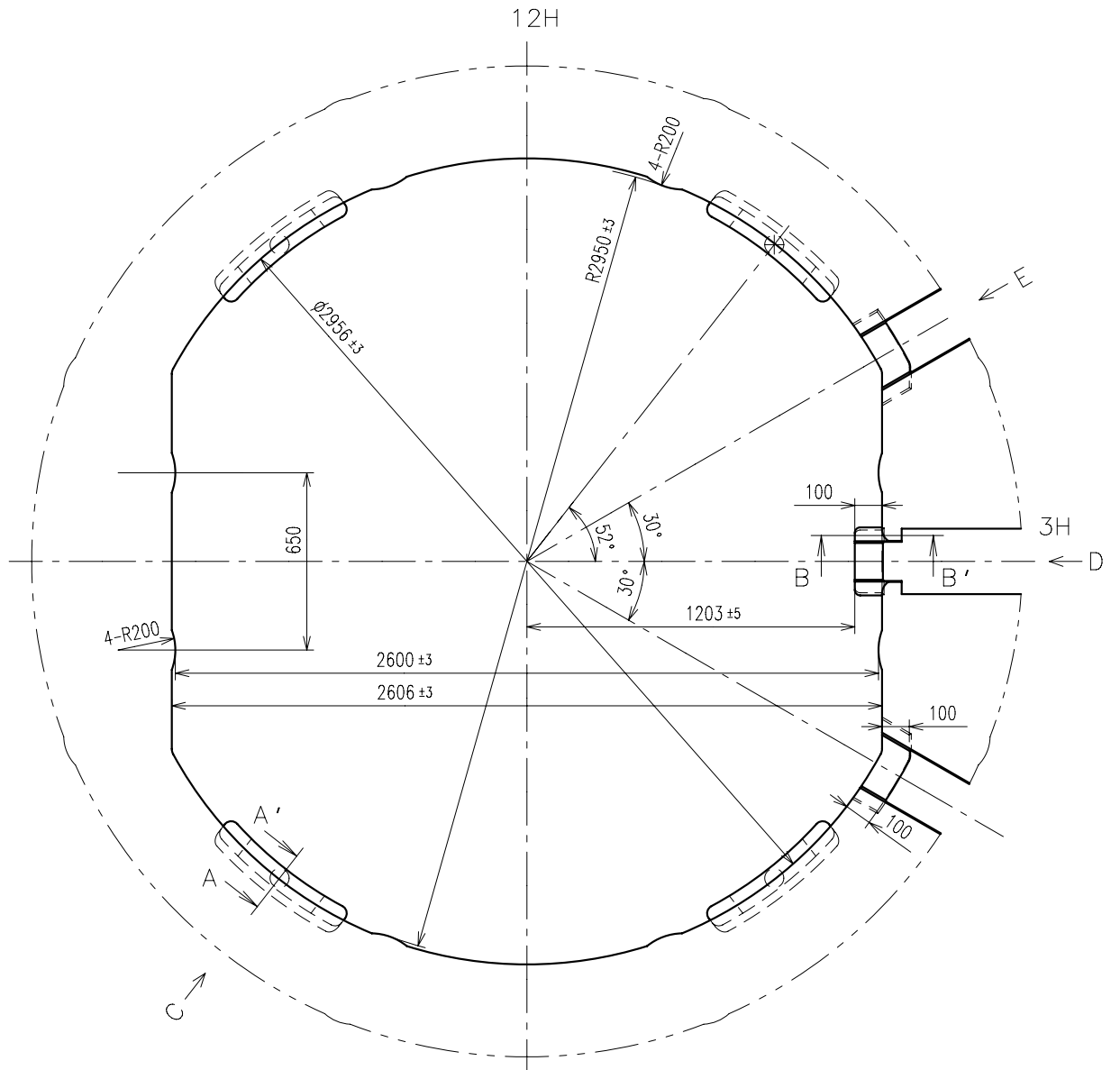
※ Not threaded

	Part No.	S1	S2	※ S3
Type-1 (Standard)	0351578	2507	3105	650
Type-2	0351177	1366	1964	60

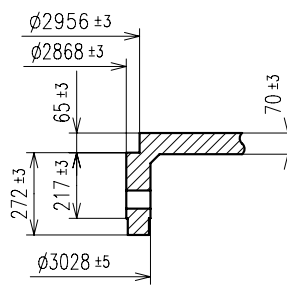
Material : Steel

Hardness : Vickers 600±50

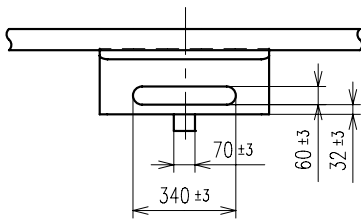




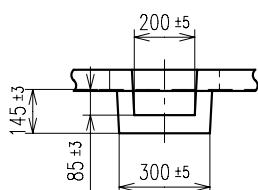
A-A' section



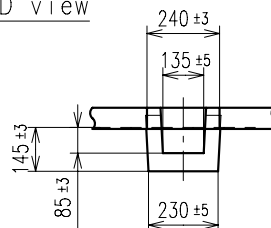
C view



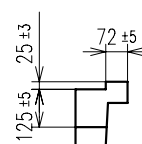
E view

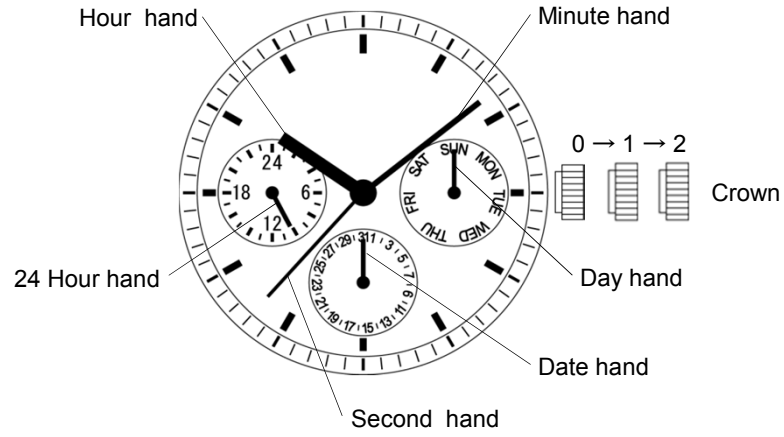


D view



B-B' section





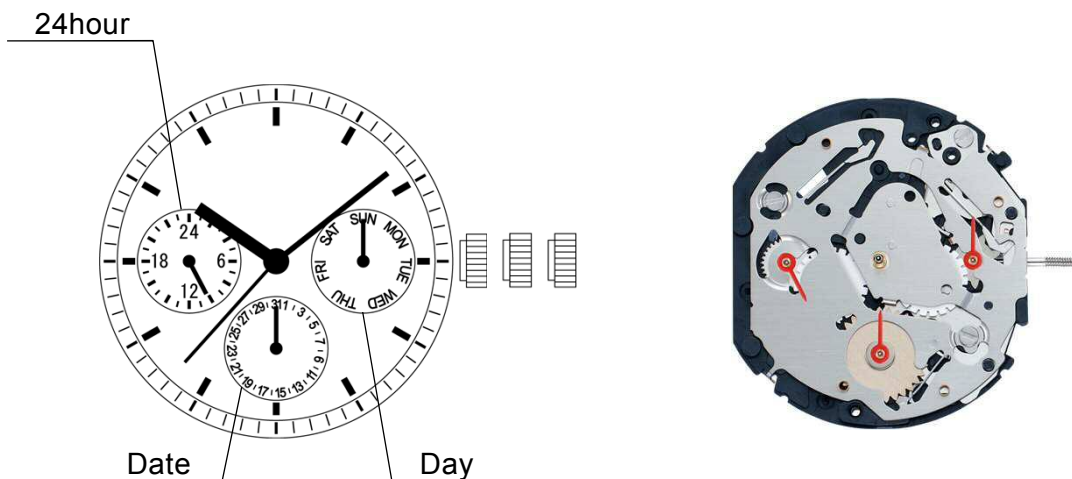
		Crown position		
		0 click	1st click	2nd click
Crown		Free	Turn counterclockwise for date change	Time setting (Day change)

* Do not set the day and date between 9:00 PM and 4:00 AM.
 Otherwise, the day and date may not change properly.

Watch Movement Parts List and Disassemble Guide

Cal.VX7JE

MULTI-FUNCTION
- Day / Date / 24hour



MOVEMENT SPECIFICATIONS

Movement Size 12 3/4'''

Height 3.99mm

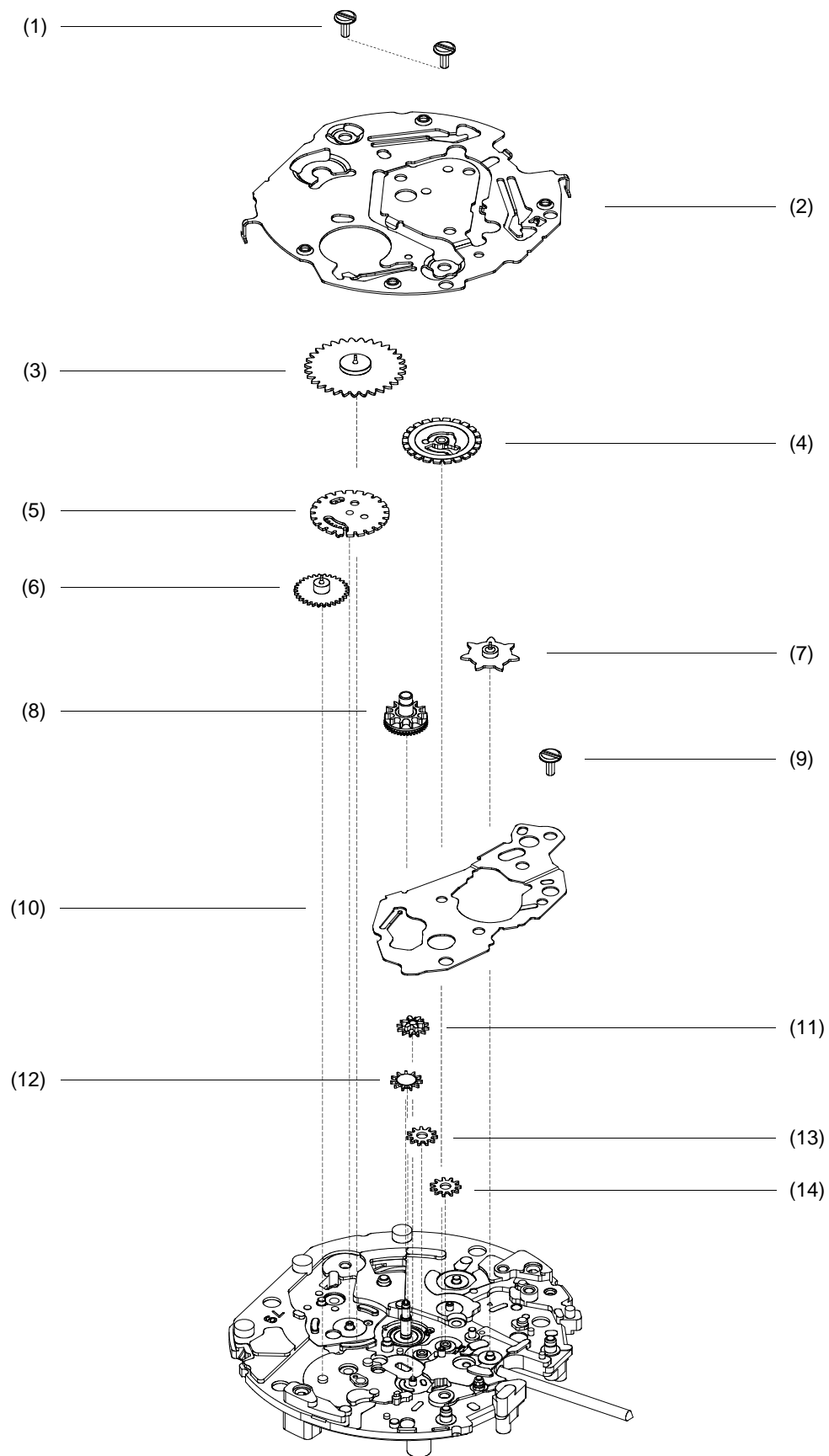
Casing Diameter Ø 28.6mm

Battery Life 3 years

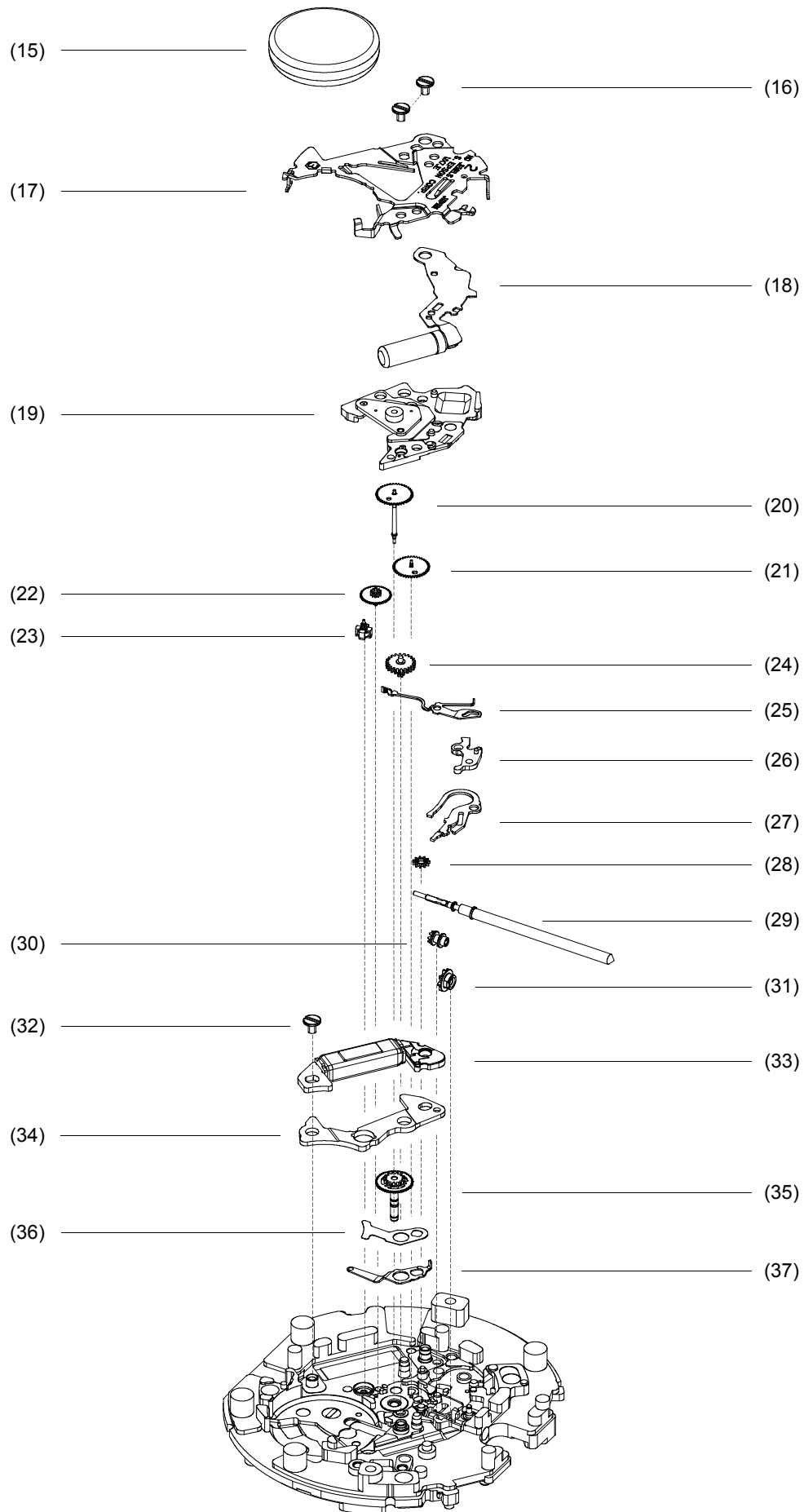
Cal.VX7JE Parts List / 零件一覽表

No.	PARTS NAME	CHINESE	QTY	VX7JE1
(1)	Screw	螺丝	2	0022 222
(2)	Calendar cover	日历盖板	1	0839 511
(3)	Date wheel	日历星轮	1	0970 503
(4)	Day indicator driving wheel	星期驱动轮	1	0802 519
(5)	Date indicator driving wheel	日历驱动轮	1	0802 518
(6)	24 hour wheel	24小时轮	1	1002 559
(7)	Day wheel	周历轮	1	1002 546
(8)	Hour wheel	时轮	1	0271 658
(9)	Screw	螺丝	1	0022 222
(10)	Corrector lever cover	修正簧固定片	1	0837 504
(11)	Date corrector wheel	日修正轮	1	0737 532
(12)	Calendar corrector setting wheel	日历修正轮	1	0737 909
(13)	3rd calendar corrector setting transmission wheel	第三日历中间轮	1	0962 909
(14)	2nd calendar corrector setting transmission wheel	第二日历中间轮	1	0962 909
(15)	Battery	电池	1	3013 150
(16)	Screw	螺丝	2	0022 247
(17)	Battery connection (+)	正极片	1	4268 540
(18)	Circuit block	电路板	1	4000 760
(19)	Train wheel bridge	夹板	1	0125 519
(20)	Fourth wheel	4号轮	1	0241 559
(21)	Third wheel	3号轮	1	0231 904
(22)	Fifth wheel	5号轮	1	0701 904
(23)	Rotor	转子/步步马达	1	4146 890
(24)	Minute wheel	度数轮/分轮	1	0261 908
(25)	Train wheel setting lever	轮组止动竿	1	0391 890
(26)	Setting lever	压制竿	1	0383 891
(27)	Yoke	换日竿/横担	1	0384 890
(28)	Setting wheel	小铁车/拨针轮	1	0281 904
(29)	Setting stem	把芯	1	0351 578
(30)	Clutch wheel	猪笼轮	1	0282 890
(31)	1st calendar corrector setting transmission wheel	第一日历中间轮	1	0962 890
(32)	Screw	螺丝	1	0022 247
(33)	Coil block	线圈	1	4002 556
(34)	Stator	定子/转子甲板	1	4239 554
(35)	Center wheel	中心轮	1	0221 602
(36)	Battery insulating plate C	绝缘片	1	4216 904
(37)	Battery connection (-)	负极片	1	4270 904

Parts List / 零件一覽表



Parts List / 零件一覽表



VX7N(J)E, 7PE, 7RE Parts List

PARTS NAME	CHINESE	QTY	VX7N(J)E	VX7PE	VX7RE
Train wheel bridge	夹板	1	0125519	←	←
Center wheel & pinion	中心轮	1	0221602	←	←
Third wheel & pinion	3号轮	1	0231904	←	←
Fourth wheel & pinion	4号轮	1	0241559	←	←
Fifth wheel & pinion	5号号轮	1	0701904	←	←
Rotor	转子/步步马达	1	4146890	←	←
Stator	定子	1	4239554	←	←
Coil block	线圈	1	4002556	←	←
Minute wheel	分轮	1	0261908	←	←
Hour wheel	时轮	1	0271658	←	←
Setting wheel	拨针轮	1	0281904	←	←
Clutch wheel	猪笼轮	1	0282890	←	←
Setting stem	柄轴/把芯	1	0351578	←	←
Setting lever	抑制竿	1	0383891	←	←
Yoke	横担	1	0384890	←	←
Train wheel setting lever	轮组止动竿	1	0391890	←	←
Battery connection(-)	电池正极	1	4270904	←	←
Battery connection(+)	电池负极	1	4268540	←	←
Battery insulating plate C	电池绝缘板C	1	4216904	←	←
Circuit block	电路板	1	4000760	←	←
Corrector lever cover	修正簧压板	1	0837504	←	←
Date indicator driving wheel	日历驱动轮	1	0802518	←	←
Date & star indicator	日历星轮	1	0970503	←	←
Day indicator driving wheel	星期驱动轮	1	0802519	←	None
Day indicator wheel	24小时轮	1	1002546	←	None
24 hours wheel	日历盖板	1	1002559	None	1002559
Calendar cover	日历盖板	1	0839511	←	←
1st calendar corrector setting transmission wheel	第一日历中间轮	1	0962890	←	←
2nd calendar corrector setting transmission wheel	第二日历中间轮	1	0962909	←	←
3rd calendar corrector setting transmission wheel	第三日历中间轮	1	0962909	←	←
Calendar corrector setting wheel	日历修正轮	1	0737909	←	←
Date corrector wheel	日修正轮	1	0737532	←	←
Coil block screw	线圈螺丝	1	0022247	←	←
Battery connection(+)screw	电池正极片螺丝	2	0022247	←	←
Corrector lever maintaining plate screw	日历修正簧螺丝	1	0022222	←	←
Calendar cover screw	日历压板螺丝	2	0022222	←	←
Battery	电池	1	31013150	←	←

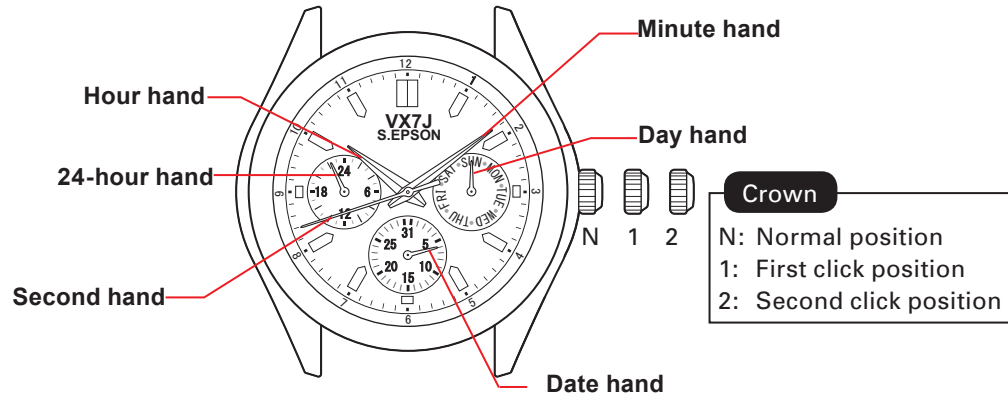
CAL.VX7J

3 Hands 3 Eyes

1/3 Instructions

Features

- ◆ Hour, minute and second hands
- ◆ Day, date and 24-hour indicators



Movement Size	12 3/4 ^{mm}
Outside Diameter	ø29.50 mm x 26.00 mm (3-9H) x 29.36 mm (12-6H)
Casing Diameter	ø28.60 mm x 25.60 mm (3-9H) x 28.60 mm (12-6H)
Height	3.99 mm
Battery	SR927SW
Battery Life	Approximately 3 years

- ◆ Timing of date/day change

The date hand moves to the next between 11:00 p.m. and 12:00 a.m.

The day hand moves to the next between 2:00 a.m. and 4:00 a.m.



S.EPSON Products

JAPAN TECHNOLOGY & QUALITY

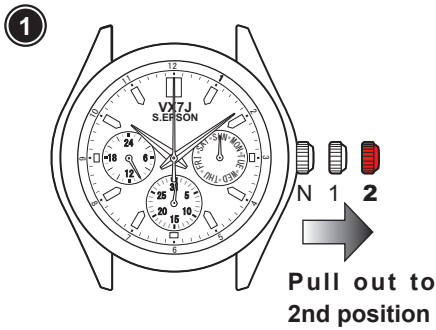
www.timemodule.com

CAL.VX7J

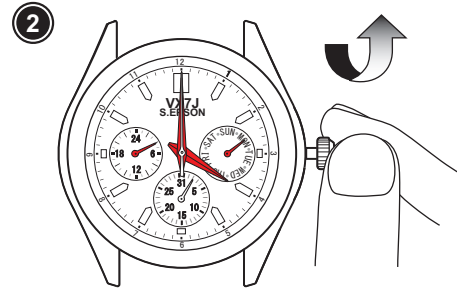
3 Hands 3 Eyes

2/3 Instructions

How to set time and day of the week

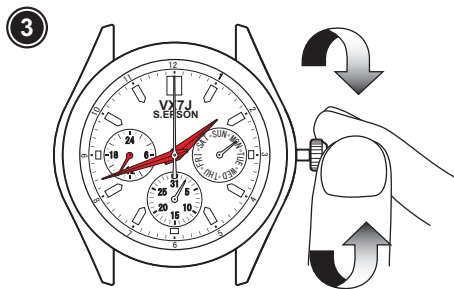


- Pull the crown out to the 2nd click position when the second hand is at the 12 o'clock position.

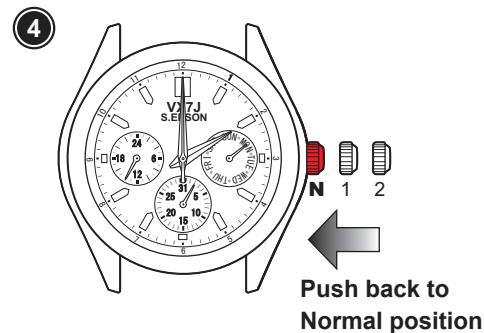


- Turn the crown clockwise to advance the hour and minute hands until the day hand is set to the desired day of the week.

Note: The day hand will not move back by turning the crown counterclockwise.



- Turn to set the time taking AM/PM into consideration.



- Push the crown back to the normal position.

◆ Advance Setting Technique

- To advance the day hand quickly, turn back the hour and minute hands 4 to 5 hours beyond the point of the day change (between 11:00 p.m. and 4:00 a.m.), and then advance them again until the day hand is set to the next.

Note: The day hand will not move back by turning the crown counterclockwise.

- The 24-hour hand moves correspondingly with the hour hand.
- When setting the hour hand, check that the 24-hour hand is correctly set.
- When setting the minute hand, advance it 4 to 5 minutes ahead of the desired time and then turn it back to the exact time.

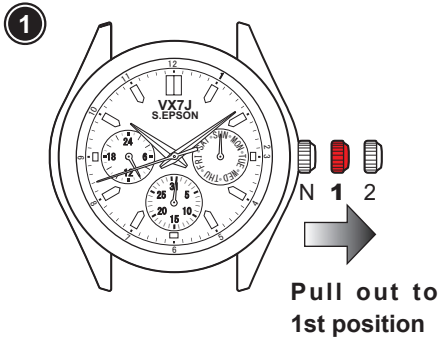


CAL.VX7J

3 Hands 3 Eyes

3/3
Instructions

How to set date

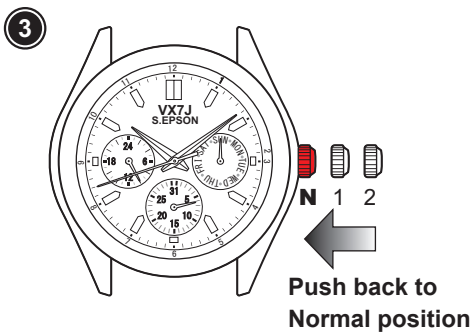


- Pull the crown out to the 1st click position.



- Turn the crown counterclockwise to set the date hand.

Note: The date hand will not move back by turning the crown clockwise.



- Push the crown back to the normal position.

◆ Note

- Do not set the date hand between 9:00 p.m. and 4:00 a.m. Otherwise, it may not move properly.
- While setting the date hand, check that it moves properly in one-day increments.
- It is necessary to adjust the date on the first day after a 30-day month and February.



S.EPSON Products
JAPAN TECHNOLOGY & QUALITY
www.timemodule.com